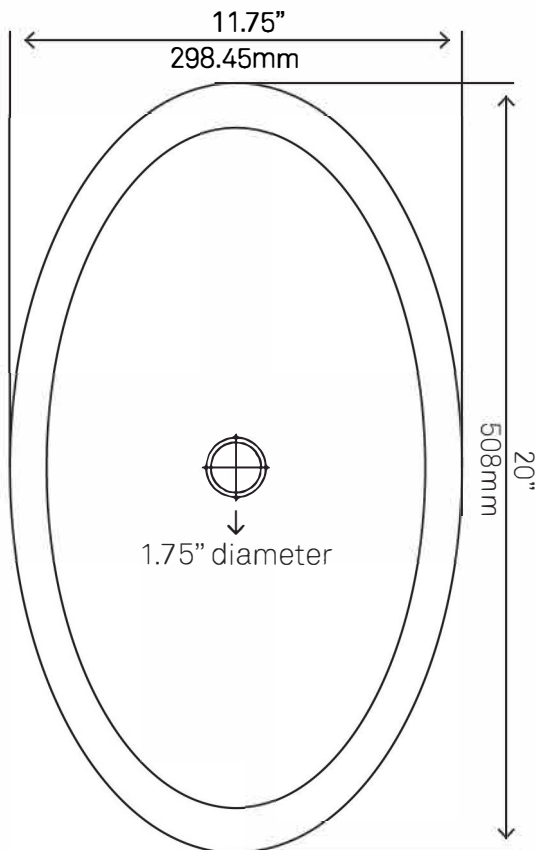




NOSV-AS
Absolute Natural Granite Slipper Sink

Requested By: _____

Specific Features: _____



STANDARD SPECIFICATIONS:

- Oval granite vessel sink
- Polished black interior
- Natural textured exterior
- Hand crafted by our master artisans
- Above counter installation
- No mounting ring required
- Unique Oval slipper shape
- 7/8" thick granite
- Inside dimension: 18.25 x 10
- Standard U.S. plumbing connection

WARRANTY:

- Limited lifetime warranty
- See www.NovattoInc.com for details

COORDINATING ACCESSORIES:

- UPD-MB umbrella drain
- Glacier Ice Faucet and Sink Sealer kit

NOTES

Novatto reserves the right (1) to make changes in specifications and materials, and (2) to change or discontinue models, both without notice or obligation. Dimensions are for reference only, see www.NovattoInc.com for finish options and product availability.

Novatto Inc
 TOLL FREE 844.404.4242
www.NovattoInc.com



UPD-MB mbrella Drain, Matte Black

Requested By: _____

Specific Features: _____

STANDARD SPECIFICATIONS:

- Umbrella vessel sink drain
- Matte black finish
- Solid brass construction
- Drain includes: rubber seals and fastener
- Drain: 9.5-inches total length
- Fits any standard 1.75-inch drain opening
- cUPC

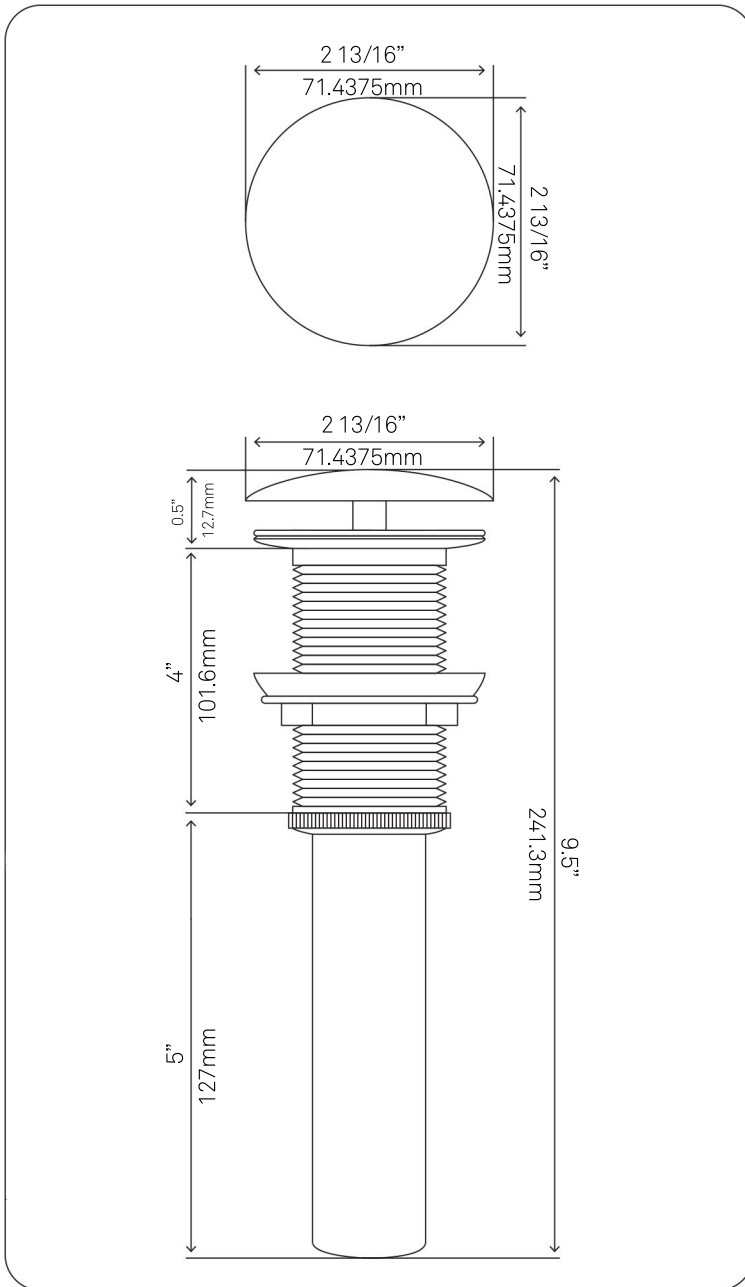
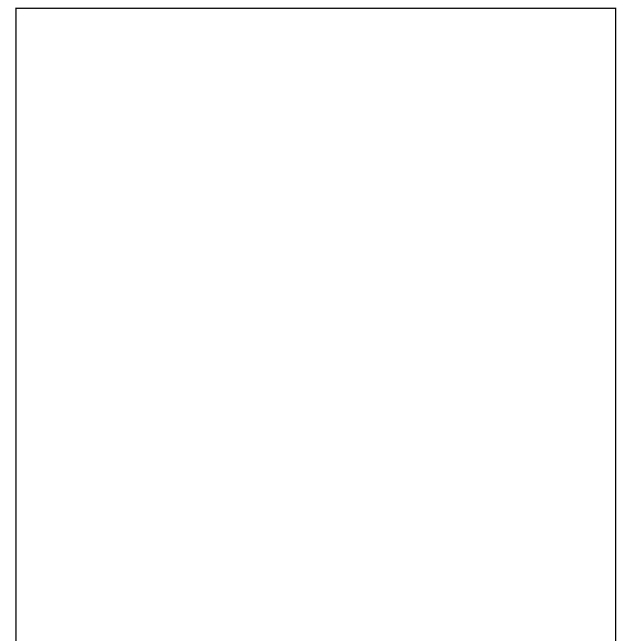
WARRANTY:

- Limited lifetime warranty
- See www.NovattoInc.com for details

COORDINATING ACCESSORIES:

- Glacier Ice Restoration and Sealer kit
- Matching mounting ring in matte black - MR001-MB

NOTES



Novatto reserves the right (1) to make changes in specifications and materials, and (2) to change or discontinue models, both without notice or obligation. Dimensions are for reference only, see www.NovattoInc.com for finish options and product availability.

Novatto Inc
 TOLL FREE 844.404.4242
www.NovattoInc.com